

For HVAC, Irrigation, OEM, Commercial and Industrial Applications

Job Name _____

Contractor _____

Job Location _____

Approval _____

Engineer _____

Contractor's P.O. No. _____

Approval _____

Representative _____

Series GBF-H, GBF-G Grooved End Butterfly Valves

Sizes: 2½" - 10" (65 - 250mm)

Series GBF Grooved End Butterfly Valves consist of a ductile iron body, EPDM encapsulated ductile iron disc and a 431 stainless steel two-piece stem. Pressure rated to 175psi CWP. Groove end designed to ANSI/AWWA C-606 Rigid Grooved Specification.

Features

- GBF-H ten-position lever handle is standard
- GBF-G manual worm-gear operator is standard
- Two-piece 431 stainless steel shaft
- Teflon® shaft bushings
- NRB O-ring shaft seals
- Ductile iron body
- EPDM encapsulated ductile iron disc
- ANSI/AWWA C-606 rigid grooved specification
- Complies with the requirements for MSS-SP67

Models

GBF-H - with lever handle

GBF-G - with gear operator

Pressure - Temperature

Maximum Operating Pressure: 175psi (12.06 bar) CWP

Maximum Operating Temperature: 275°F (135°C)

Specifications

Grooved end butterfly valve shall be installed as indicated on the plans. Valve shall consist of a ductile iron body, EPDM encapsulated ductile iron disc and a 431 stainless steel two-piece stem. Valve shall be pressure rated to 175psi (12.06 bar) CWP. Grooved end designed to ANSI/AWWA C-606 rigid grooved specification. Valve shall be a Watts Regulator Company Series GBF-H (lever handle) or GBF-G (gear operator).



Materials

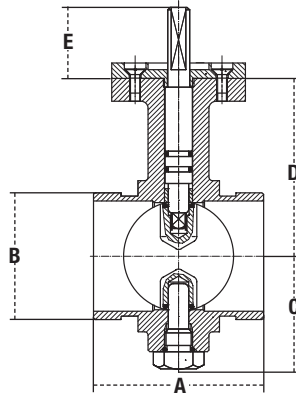
PARTS NAME	MATERIALS	ASTM SPEC.
Body	Ductile Iron	A536 65-45-12
Disc	Ductile Iron + EPDM	A536 65-45-12
Upper Stem	Stainless Steel	A276 Type 431
Upper O-Ring	Nitrile Rubber	NBR
Bushing	Teflon®	-
Lower Stem	Stainless Steel	A276 Type 431
Lower O-Ring	Nitrile Rubber	NBR

Teflon® is a registered trademark of the E.I. DuPont de Nemours & Company, Incorporated

WATTS®

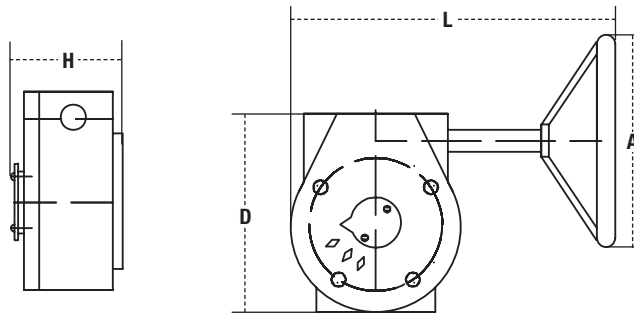
Watts product specifications in U.S. customary units and metric are approximate and are provided for reference only. For precise measurements, please contact Watts Technical Service. Watts reserves the right to change or modify product design, construction, specifications, or materials without prior notice and without incurring any obligation to make such changes and modifications on Watts products previously or subsequently sold.

Dimensions – Weights



GxG Butterfly Valves

SIZE (DN)		DIMENSIONS										WEIGHT						
in.	mm	in.	A	mm	in.	B	mm	in.	C	mm	in.	D	mm	in.	E	mm	lbs	kg
2 1/2	65	3 7/8	98	2 7/8	73	2 9/16	65	4	102	1 5/8	41	8.51	3.87					
3	80	3 7/8	98	3 9/16	90	2 15/16	75	4 9/16	109	1 5/8	41	10.08	4.58					
4	100	4 9/16	116	4 1/2	115	3 5/8	92	5	128	1 5/8	41	15.93	7.24					
6	150	5 7/8	149	6 5/8	169	5 1/4	133	5 15/16	151	2 1/8	54	30.34	13.79					
8	200	5 1/4	134	8 13/16	223	6 1/2	166	7 5/8	194	2 15/16	58	46.18	20.99					
10	250	6 5/16	160	10 13/16	274	8 1/2	216	7 5/8	194	2 3/16	56	75.22	34.19					

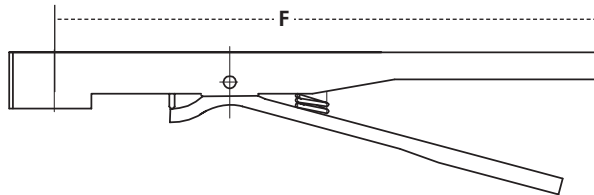


Gear Operator

SIZE (DN)		GEAR RATIO	DIMENSIONS								WEIGHT				
in.	mm		in.	A	mm	in.	D	mm	in.	H	mm	in.	L	mm	lbs
2 1/2	65	24:1	5 3/4	146	4	102	2 1/2	64	7 1/2	191	11.06	24.38			
3	80	24:1	5 3/4	146	4	102	2 1/2	64	7 1/2	191	11.06	24.38			
4	100	24:1	5 3/4	146	4	102	2 1/2	64	7 1/2	191	11.06	24.38			
6	150	24:1	5 3/4	146	4	102	2 1/2	64	7 1/2	191	11.06	24.38			
8	200	30:1	12	305	6	152	3	76	10 1/2	267	23.90	52.69			
10	250	30:1	12	305	6	152	3	76	10 1/2	267	23.90	52.69			

Handle Length

SIZE (DN)		WEIGHT				
in.	mm	in.	F	mm	lbs	kg
2 1/2	65	10 9/16	268	1.58	3.48	
3	80	10 9/16	268	1.58	3.48	
4	100	10 9/16	268	1.58	3.48	
6	150	14 3/16	360	1.58	3.48	
8	200	15 1/2	394	3.64	8.02	
10	250	15 1/2	394	3.64	8.02	



WATTS®

Water Safety & Flow Control Products

USA: 815 Chestnut St., No. Andover, MA 01845-6098; www.watts.com

Canada: 5435 North Service Rd., Burlington, ONT. L7L 5H7; www.wattscanada.ca