

## For Non-Health Hazard Applications

Job Name \_\_\_\_\_

Contractor \_\_\_\_\_

Job Location \_\_\_\_\_

Approval \_\_\_\_\_

Engineer \_\_\_\_\_

Contractor's P.O. No. \_\_\_\_\_

Approval \_\_\_\_\_

Representative \_\_\_\_\_

# Series 709DCDA

## Double Check Detector Assemblies

**Sizes: 3" – 10" (80 – 250mm)**

Series 709DCDA Double Check Detector Assemblies are designed exclusively for use in accordance with water authority containment requirements. It is mandatory to prevent the reverse flow of fire protection system substances, i.e. glycerin wetting agents, stagnant water and water of non-potable quality from being pumped or siphoned into the potable water line.

**Benefits:** Detects leaks . . . with emphasis on the cost of unaccountable water; incorporates a meter which allows the water utility to:

- detect leaks underground that historically create great annual cost due to waste.
- provide a detection point for unauthorized use. It can help locate illegal taps.

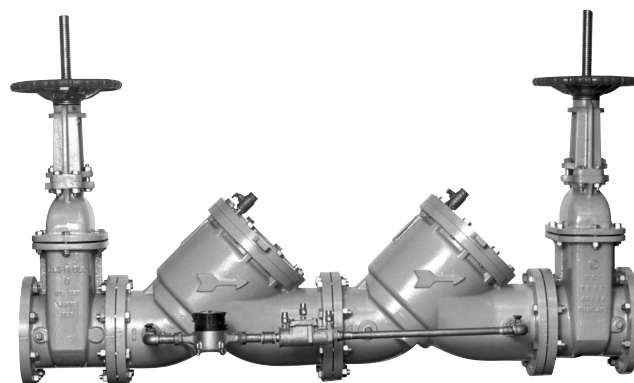
Modular check design concept facilitates maintenance and assembly access. All sizes are standardly equipped with resilient seated OSY shutoff valves,  $\frac{5}{8}$ " x  $\frac{3}{4}$ " (16 x 19mm) meter and ball type test cocks.

### Features

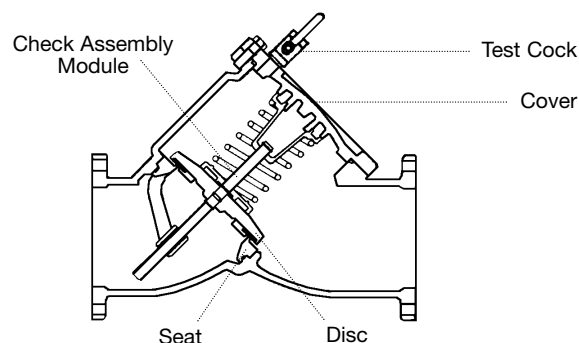
- Body construction fused epoxy coated cast iron
- Replaceable bronze seats
- Maximum flow at low pressure drop
- Compact for economy combined with performance
- Design simplicity for easy maintenance
- Furnished with  $\frac{5}{8}$ " x  $\frac{3}{4}$ " (16 x 19mm) bronze meter
- No special tools required for servicing

### Specifications

A Double Check Detector Assembly shall be installed on fire protection systems when connected to a potable water supply. Degree of hazard present is determined by the local authority having jurisdiction. The unit shall be a complete assembly including UL listed resilient seated OSY shutoff valves and test cocks. The unit shall be UL/FM approved with UL/FM approved OSY shutoff valves. The auxiliary line shall consist of an approved backflow preventer and water meter. The assembly shall meet the basic requirements of ASSE 1048; AWWA Std. C510 for Double Check Valves. Approved by the Foundation for Cross-Connection Control and Hydraulic Research at the University of Southern California. Assembly shall be a Watts Regulator Company Series 709DCDA.



709DCDAOSY



### Check Assembly Module

Features a modular design concept which facilitates complete maintenance and assembly by retaining the spring load.

First and second check valve spring modules are not interchangeable.

**Now Available**  
**WattsBox Insulated Enclosures.**

For more information, send for literature ES-WB.

**IMPORTANT: INQUIRE WITH GOVERNING AUTHORITIES  
FOR LOCAL INSTALLATION REQUIREMENTS**

**WATTS<sup>®</sup>**  
**REGULATOR**

Watts product specifications in U.S. customary units and metric are approximate and are provided for reference only. For precise measurements, please contact Watts Technical Service. Watts reserves the right to change or modify product design, construction, specifications, or materials without prior notice and without incurring any obligation to make such changes and modifications on Watts products previously or subsequently sold.

## Materials

Body:	Epoxy coated cast iron
Seat:	Bronze
Disc Holder:	Bronze
Trim:	Stainless steel
Check Valve Discs:	Rubber
Test Cocks:	Bronze

## Pressure – Temperature

Temperature Range: 33°F – 110°F (5° – 43°C) continuous,  
140°F (60°C) intermittent  
Maximum Working Pressure: 175psi (12.06 bar)

## Standards

AWWA Standard C510

## Approvals



Approved by the foundation for Cross-Connection Control and Hydraulic Research at the University of Southern California. Sizes 4" – 10" (100 – 250mm) approved for horizontal and vertical "flow up". Size 3" (76mm) approved for horizontal only. Factory Mutual approved 4" – 10" vertical "flow up".

## Models

### Suffix:

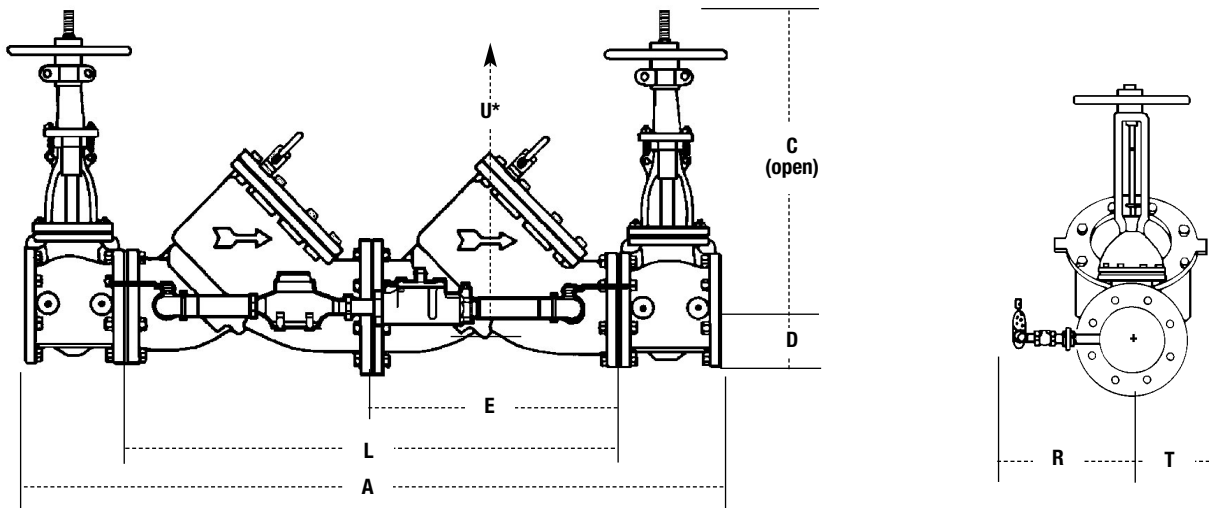
OSY - UL/FM outside stem and yoke resilient seated gate valves

CFM - cubic feet per minute meter

GPM - gallons per minute meter

LF - 4" – 10" (100 – 250mm) without shutoff valves

## Dimensions – Weights



SIZE (DN)		DIMENSIONS										WEIGHT							
<i>in.</i>	<i>mm</i>	<i>A</i>		<i>C</i>		<i>D</i>		<i>E</i>		<i>L</i>		<i>R</i>		<i>T</i>		<i>U*</i>		<i>W/OSY† gates</i>	
		<i>in.</i>	<i>mm</i>	<i>in.</i>	<i>mm</i>	<i>in.</i>	<i>mm</i>	<i>in.</i>	<i>mm</i>	<i>in.</i>	<i>mm</i>	<i>in.</i>	<i>mm</i>	<i>in.</i>	<i>mm</i>	<i>in.</i>	<i>mm</i>	<i>lbs.</i>	<i>kgs.</i>
3	80	40	1016	18 <sup>7</sup> / <sub>8</sub>	479	3 <sup>1</sup> / <sub>2</sub>	89	12	305	24	610	14	356	3	76	14	356	190	86
4	100	52	1321	22 <sup>3</sup> / <sub>4</sub>	578	3 <sup>3</sup> / <sub>4</sub>	95	17	432	34	864	15	381	6	152	14	356	403	183
6	150	62 <sup>1</sup> / <sub>2</sub>	1588	30 <sup>1</sup> / <sub>8</sub>	765	4 <sup>1</sup> / <sub>2</sub>	114	21	533	41 <sup>1</sup> / <sub>2</sub>	1054	16	406	7 <sup>1</sup> / <sub>2</sub>	191	16	406	727	330
8	200	75	1905	37 <sup>3</sup> / <sub>4</sub>	959	5 <sup>1</sup> / <sub>2</sub>	140	26	660	52	1321	17	432	9	229	21	533	1327	602
10	250	90	2286	45 <sup>3</sup> / <sub>4</sub>	1162	6 <sup>1</sup> / <sub>2</sub>	165	32	813	64	1626	18	457	10 <sup>1</sup> / <sub>4</sub>	260	25	635	2093	949

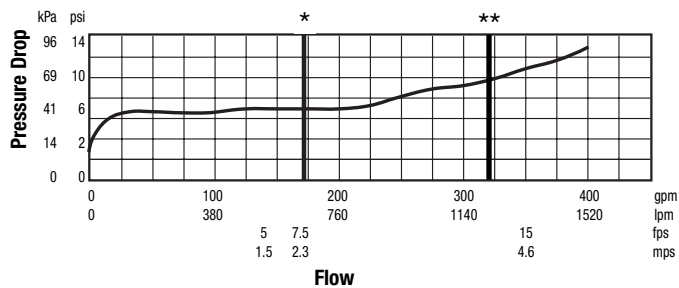
\* Service clearance for check assembly from center.

†UL/FM approved backflow preventers must include UL/FM approved OSY.

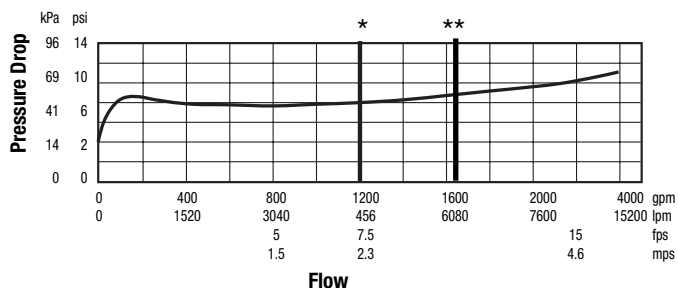
# Capacity

\*Typical maximum system flow rate (7.5 ft./Sec.) \*\*UL rated flow

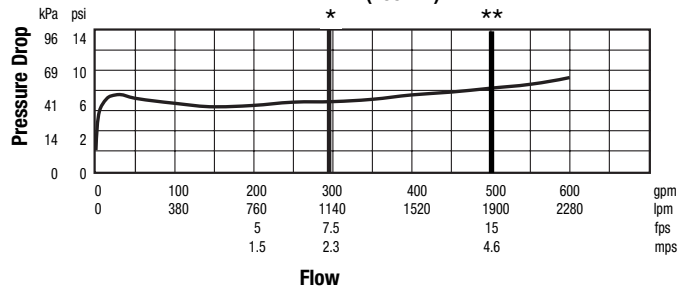
### 3" (80mm)



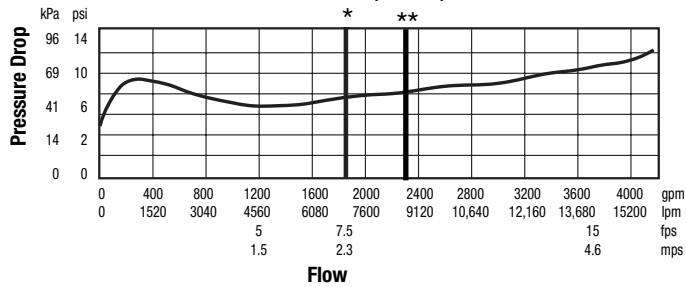
### 8" (200mm)



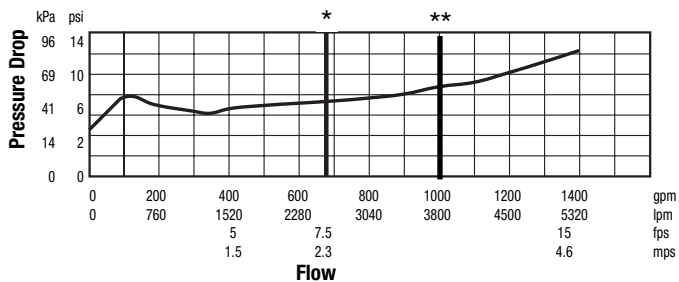
### 4" (100mm)



### 10" (250mm)



### 6" (150mm)



# For Technical Assistance Call Your Authorized Watts Agent.

			Telephone #	Fax #
	<b>HEADQUARTERS:</b> Watts Regulator Company	815 Chestnut St., North Andover, MA 01845-6098 U.S.A.	978 688-1811	978 794-1848
<b>North East</b>	Edwards, Platt & Deely, Inc.	271 Royal Ave., Hawthorne, NJ 07506	973 427-2898	973 427-4246
	Edwards, Platt & Deely, Inc.	368 Wyandanch Ave., North Babylon, NY 11703	631 253-0600	631 253-0303
	W. P. Haney Co., Inc.	51 Norfolk Ave., South Easton, MA 02375	508 238-2030	508 238-8353
<b>Mid Atlantic</b>	J. B. O'Connor Company, Inc.	P.O. Box 12927, Pittsburgh, PA 15241	724 745-5300	724 745-7420
	RMI	Glenfield Bus. Ctr., 2535 Mechanicsville Tpk., Richmond, VA 23223	804 643-7355	804 643-7380
	The Joyce Agency, Inc.	8442 Alban Rd., Springfield, VA 22150	703 866-3111	703 866-2332
	Vernon Bitzer Associates, Inc.	980 Thomas Drive, Warminster, PA 18974	215 443-7500	215 443-7573
	WMS Sales, Inc. (Main office)	9580 County Rd., Clarence Center, NY 14032	716 741-9575	716 741-4810
<b>South East</b>	Billingsley & Associates, Inc.	2728 Crestview Ave., Kenner, LA 70062-4829	504 602-8100	504 602-8106
	Billingsley & Associates, Inc.	478 Cheyenne Lane, Madison, MS 39110	601 856-7565	601 856-8390
	Francisco J. Ortiz & Co., Inc.	Charlyn Industrial Pk., Road 190 KM1.9 - Lot #8, Carolina, Puerto Rico 00983	787 769-0085	787 750-5120
	Mid-America Marketing, Inc.	203 Industrial Drive, Birmingham, AL 35211	205 879-3469	205 870-5027
	Mid-America Marketing, Inc.	1364 Foster Avenue, Nashville, TN 37210	615 259-9944	615 259-5111
	Mid-America Marketing, Inc.	5466 Old Hwy. 78, Memphis, TN 38118	901 795-0045	901 795-0394
	Smith & Stevenson Co., Inc.	4935 Chastain Ave., Charlotte, NC 28217	704 525-3388	704 525-6749
	Harry Warren, Inc.	1243 West Colonial Dr., Orlando, FL 32804	407 841-9237	407 841-9246
	Watts Georgia	2861-B Bankers Industrial Drive, Atlanta, GA 30360	770 209-3310	770 447-4583
<b>North Central</b>	Aspinall Associates, Inc.	6840 Hillsdale Court, Indianapolis, IN 46250	317 849-5757	317 845-7967
	Dave Watson Associates	1325 West Beecher, Adrian, MI 49221	517 263-8988	517 263-2328
	Disney McLane & Associates	428 McGregor Ave., Cincinnati, OH 45206	800 542-1682	877 476-1682
	BWA Company	17610 S. Waterloo Rd., Cleveland, OH 44119	216 486-1010	216 486-2860
	Mid-Continent Marketing Services Ltd.	1724 Armitage Ct., Addison, IL 60101	630 953-1211	630 953-1067
	Soderholm & Associates, Inc.	7150 143rd Ave. N.W., Anoka, MN 55303	763 427-9635	763 427-5665
	Stickler & Associates	333 North 121 St., Milwaukee, WI 53226	414 771-0400	414 771-3607
<b>South Central</b>	Hugh M. Cunningham, Inc.	13755 Benchmark, Dallas, TX 75234	972 888-3808	972 888-3838
	Mack McClain & Associates	11132 South Towne Square, Suite 202, St. Louis, MO 63123	314 894-8188	314 894-8388
	Mack McClain & Associates, Inc.	1450 NE 69th Place, Ste. 56 Ankeny, IA 50021	515 288-0184	515 288-5049
	Mack McClain & Associates, Inc.	15090 West 116th St., Olathe, KS 66062	913 339-6677	913 339-9518
	OK! Sales, Inc.	2200 Blue Creek Dr., Norman, OK 73026	405 360-6161	405 360-0092
	Phoenix Marketing, Ltd.	2416 Candelaria N.E., Albuquerque, NM 87107	505 883-7100	505 883-7101
<b>Western</b>	Delco Sales, Inc.	1930 Raymer Ave., Fullerton, CA 92833	714 888-2444	714 888-2448
	Delco Sales, Inc.	111 Sand Island Access Rd., Unit I-10, Honolulu, HI 96819	808 842-7900	808 842-9625
	Fanning & Associates, Inc.	6765 Franklin St., Denver, CO 80229-7111	303 289-4191	303 286-9069
	Hollabaugh Brothers & Associates	6915 South 194th St., Kent, WA 98032	253 867-5040	253 867-5055
	Hollabaugh Brothers & Associates	3028 S.E. 17th Ave., Portland, OR 97202	503 238-0313	503 235-2824
	P I R Sales, Inc.	3050 North San Marcos Place, Chandler, AZ 85225	480 892-6000	480 892-6096
	Preferred Sales	31177 Wiegman Road, Hayward, CA 94544	510 487-9755	510 476-1595
	R. E. Fitzpatrick Sales, Inc.	4109 West Nike Dr. (8250 South), West Jordan, UT 84088	801 282-0700	801 282-0600
<b>Canada</b>	Watts Industries (Canada) Inc. (Watts Regulator Co. Division)	5435 North Service Road, Burlington, Ontario L7L 5H7	905 332-4090	905 332-7068
	Con-Cur West Marketing, Inc.	71B Clipper Street, Coquitlam, British Columbia V3K 6X2	604 540-5088	604 540-5084
	D.C. Sales Corporation Inc.	#10-6130 4th St. S.E., Calgary, Alberta T2H 2A6	403 253-6808	403 259-8331
	D.C. Sales Corporation Inc.	11420 142 Street, Edmonton, Alberta T5M 1V1	780 496-9495	780 496-9621
	GTA Sales Team.	Greater Toronto Area	888 208-8927	888 479-2887
	Hydro-Mechanical Sales, Ltd.	3700 Joseph Howe Drive, Suite 1, Halifax, Nova Scotia B3L 4H7	902 443-2274	902 443-2275
	Hydro-Mechanical Sales, Ltd.	P.O. Box 1445 (Mailing), 297 Collishaw St., Suite 7 (shipping) Moncton, New Brunswick E1C 9R2	506 859-1107	506 859-2424
	J.D.S. Sales Ltd.	4 Lancaster Street, St. John's, Newfoundland A1A 5P7	709 579-5771	709 579-1558
	Le Groupe B.G.T., Inc.	23 du Buisson, Pont Rouge, Quebec G3H 1X9	418 873-2500	418 873-2505
	Le Groupe B.G.T., Inc.	86 des Entreprises #208, Boisbriand, Quebec J7G 2T3	450 434-9010	450 434-9848
	Mar-Win Agencies, Ltd.	1333 Clifton St., Winnipeg, Manitoba R3E 2V1	204 775-8194	204 786-8016
	Northern Mechanical Sales	P.O. Box 280 (mailing) 163 Pine St. (shipping), Garson, Ontario P3L 1S6	705 693-2715	705 693-4394
	Palsler Enterprises, Ltd.	P.O. Box 28136 (mailing), 1885 Blue Heron Dr., #4, London, Ontario N6H 5L9	519 471-9382	519 471-1049
RAM Mechanical Marketing Inc.	1401 St. John Street, Regina, Saskatchewan S4R 1S5	306 525-1986	306 525-0809	
RAM Mechanical Marketing Inc.	510 Ave M South, Saskatoon, Saskatchewan S7M 2K9	306 244-6622	306 244-0807	
Walmart Mechanical Sales	24 Gurdwara Rd., Nepean, Ontario K2E 8B5	613 225-9774	613 225-0673	
0518	<b>EXPORT Hdqtrs.:</b> Watts Regulator Co.	815 Chestnut St., North Andover, MA 01845-6098 U.S.A.	978 688-1811	978 794-1848



Watts USA website: [www.wattsreg.com](http://www.wattsreg.com)  
Watts Canada website: [www.wattscanada.ca](http://www.wattscanada.ca)